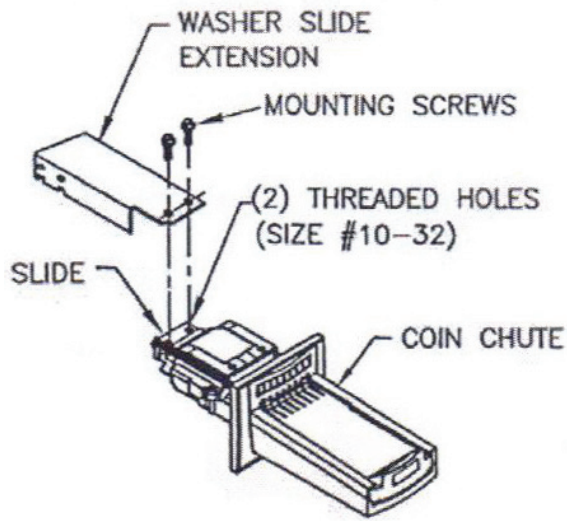
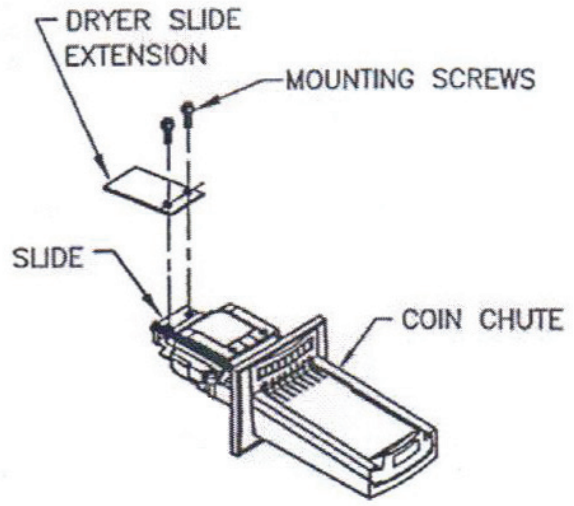


Coin Chute/Slide:

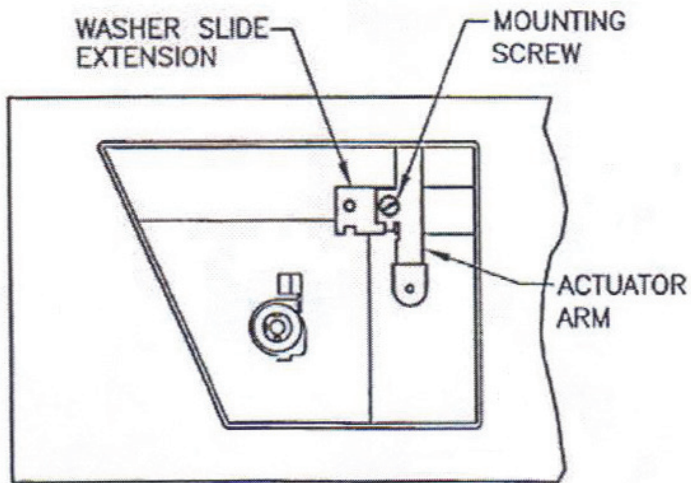
Installation Instructions



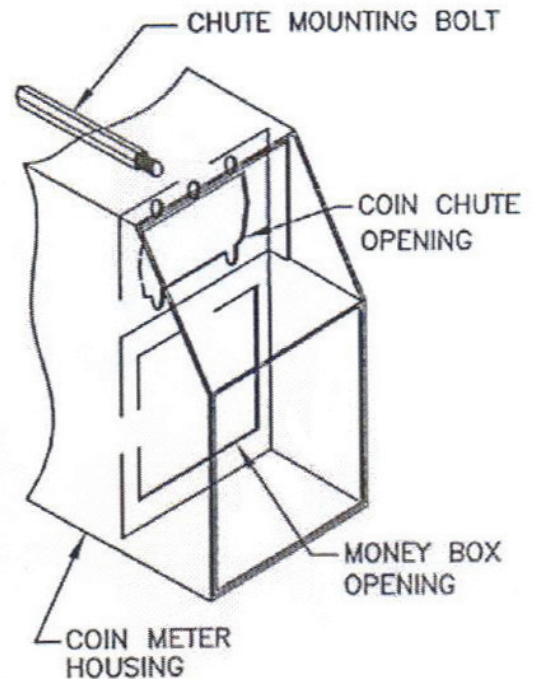
WASHER SLIDE EXTENSION



DRYER SLIDE EXTENSION



VIEW THROUGH SERVICE DOOR OPENING
(WASHER)



GREENWALD INDUSTRIES

212 Middlesex Avenue | Chester, CT 06412 USA | Tel: (860) 526-0800 | Fax: (860) 526-4205

Toll-Free Tel: 1-800-221-0982 | Toll-Free Fax: 1-800-445-1340

www.greenwaldindustries.com

United States & Canada Customer Service & Technical Assistance:

Monday-Friday, 8am to 5pm EST.

Contents, specifications and availability are subject to revisions serving the technical improvement.
Not responsible for any typographical errors.

