



ES-35 Parts Manual

American Dryer Corporation
88 Currant Road
Fall River MA 02720-4781 USA
Telephone: +1 (508) 678-9000 / Fax: +1 (508) 678-9447
e-mail: techsupport@amdry.com

www.adclaundry.com

Retain This Manual In A Safe Place For Future Reference

American Dryer Corporation products embody advanced concepts in engineering, design, and safety. If this product is properly maintained, it will provide many years of safe, efficient, and trouble free operation.

ONLY qualified technicians should service this equipment.

OBSERVE ALL SAFETY PRECAUTIONS displayed on the equipment or specified in the installation manual included with the dryer.

The following “**FOR YOUR SAFETY**” caution must be posted near the dryer in a prominent location.

FOR YOUR SAFETY

Do not store or use gasoline or other flammable vapors and liquids in the vicinity of this or any other appliance.

POUR VOTRE SÉCURITÉ

Ne pas entreposer ni utiliser d'essence ni d'autres vapeurs ou liquides inflammables à proximité de cet appareil ou de tout autre appareil.

We have tried to make this manual as complete as possible and hope you will find it useful. ADC reserves the right to make changes from time to time, without notice or obligation, in prices, specifications, colors, and material, and to change or discontinue models.

Important

For your convenience, log the following information:

DATE OF PURCHASE _____ MODEL NO. **ES-35**
RESELLER'S NAME _____
Serial Number(s) _____

Replacement parts can be obtained from your reseller or the ADC factory. When ordering replacement parts from the factory, you can FAX your order to ADC at (508) 678-9447 or telephone your order directly to the ADC Parts Department at (508) 678-9000. Please specify the dryer model number and serial number in addition to the description and part number, so that your order is processed accurately and promptly.

The illustrations on the following pages may not depict your particular dryer exactly. The illustrations are a composite of the various dryer models. Be sure to check the descriptions of the parts thoroughly before ordering.

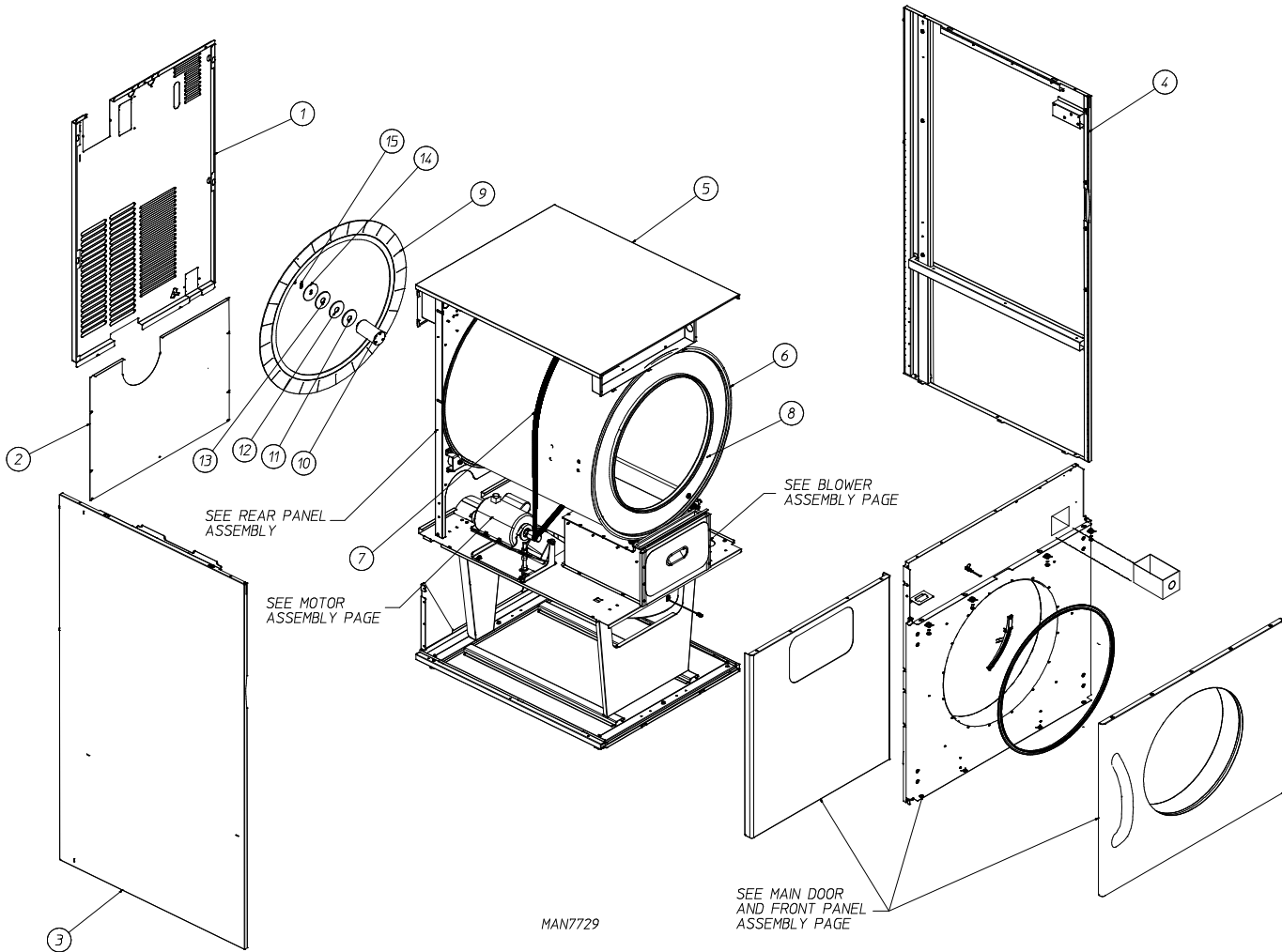
“IMPORTANT NOTE TO PURCHASER”

Information must be obtained from your local gas supplier on the instructions to be followed if the user smells gas. These instructions must be posted in a prominent location near the dryer.

Table of Contents

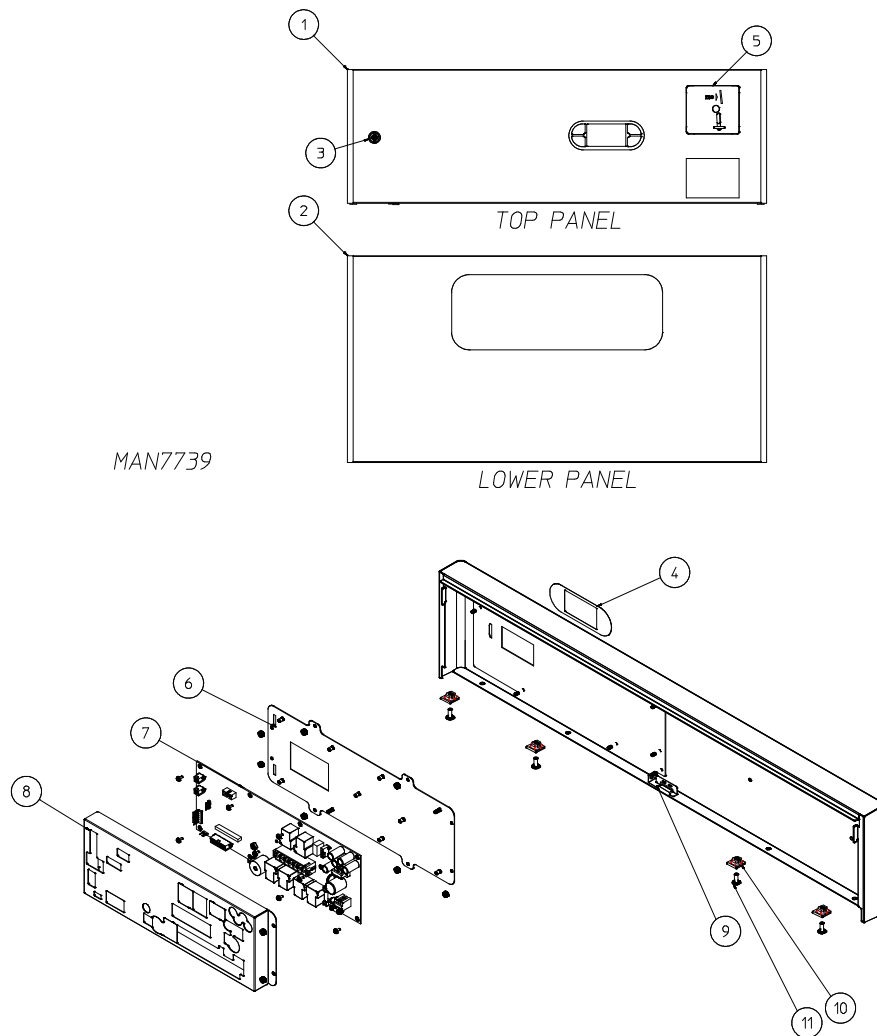
Main Parts Diagram	4
Top and Lower Panel Assembly	5
Main Door and Front Panel Assembly	6
Rear Panel Assembly	7
Lint Box Assembly	8
Lint Drawer Assembly For Models Mfd. as of November 16, 2009	9
Lint Drawer Assembly For Models Mfd. prior to November 16, 2009	10
Blower Housing Assembly	11
Burner Assembly	12
Electric Burner / Steam Assembly	13
Motor Assembly	14
S.A.F.E. System Assembly	15
Wheel Assembly	16

Main Parts Diagram



<u>Illus. No.</u>	<u>Part No.</u>	<u>Qty.</u>	<u>Description</u>
1	367214	1	Rear Large Back Guard (for gas and electric heated models)
	828266	1	Rear Large Back Guard (for steam heated models)
2	335081	1	Rear Small Back Guard
3	814497	1	Left Side Panel Assembly
4	814498	1	Right Side Panel Assembly
5	814500	1	Top Panel Assembly
6	815175	1	Galvanized Tumbler Assembly
	815176	1	Stainless Steel Tumbler Assembly
7	102407	1	Auto Tension Belt
8	115906	1	Tumbler Felt (front)
9	115910	1	Tumbler Felt (rear)
10	185240	1	Tumbler Shaft (for gas and electric heated models)
	185055	1	Solid Back Shaft (for steam heated models)
11	354217	1	3/8" Spacer Plate
12	153048	1	Friction Pad (for gas and electric heated models)
	102373	1	Rulon J Thrust Bearing (for steam heated models)
13	153048	1	Friction Pad (for gas and electric heated models)
	102373	1	Rulon J Thrust Bearing (for steam heated models)
14	185426	1	Dual Screw Backup Washer
15	153072	2	1/4" High Collar Lock Washer

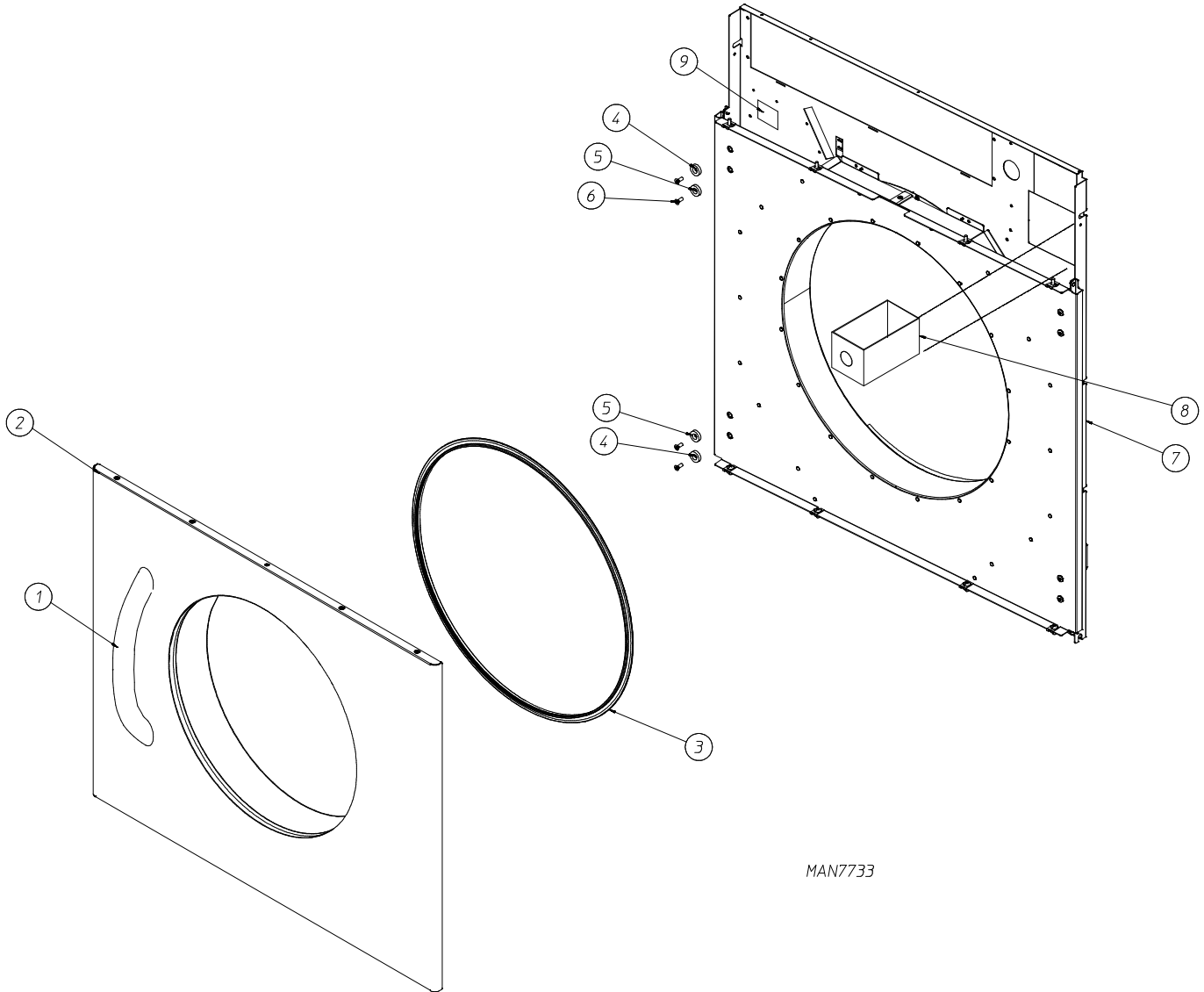
Top and Lower Panel Assembly



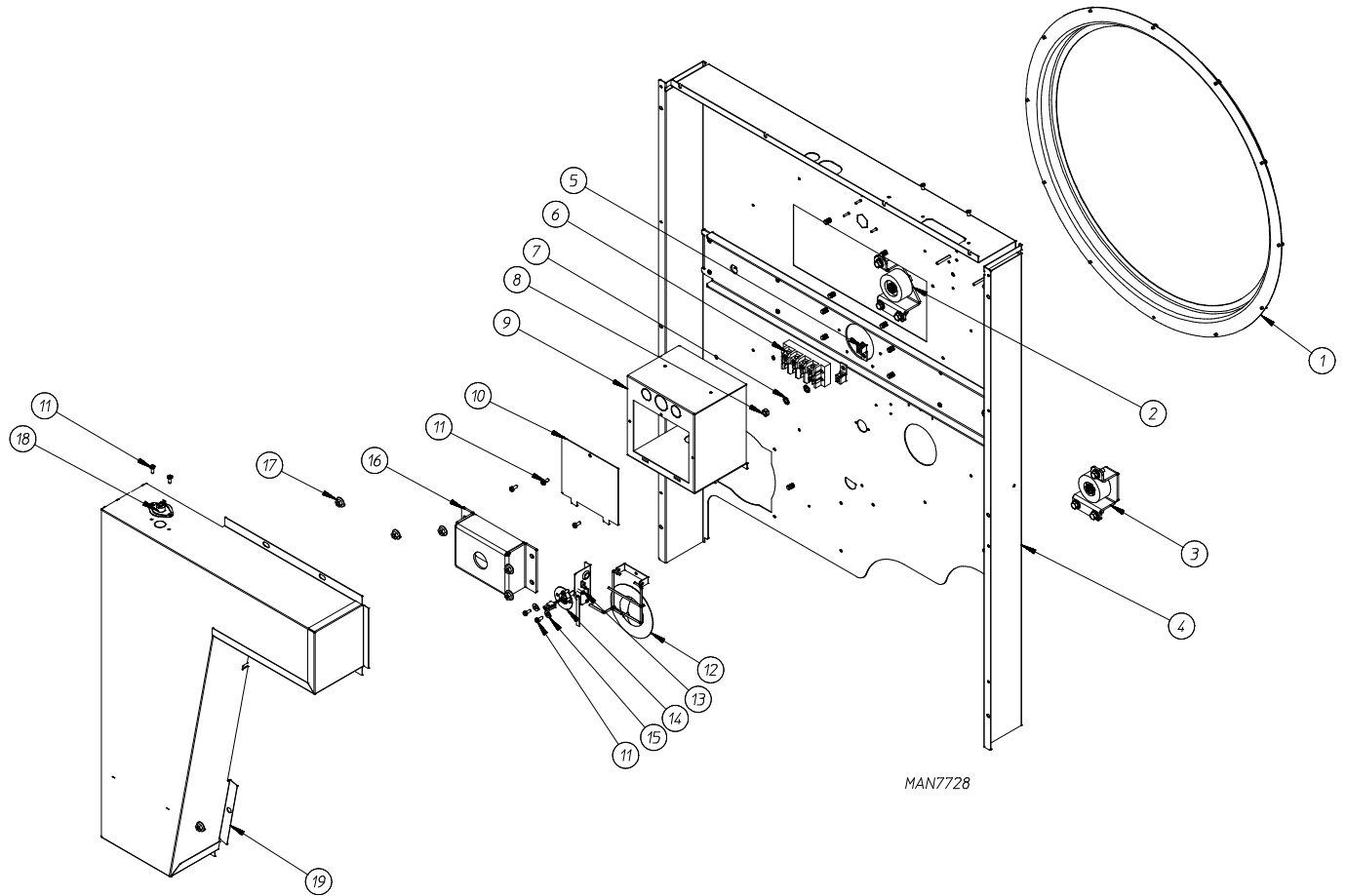
<u>Illus. No.</u>	<u>Part No.</u>	<u>Qty.</u>	<u>Description</u>
1	819511	1	Phase 8 Control Door Assembly (25¢ coin)
	819633	1	Phase 8 Control Door Assembly (programmable – Euro)
	819507	1	Phase 8 Control Door Assembly (non-coin)
2	814520*	1	Lower Toe Panel (painted)
	814626	1	Lower Toe Panel (Stainless Steel)
3	160071	1	Program Lock for Coin ONLY
	160140	1	Program Key ... Not Illustrated
4	112587	1	Keypad (coin)
	112586	1	Keypad (non-coin)
5	818213	1	Coin Acceptor (25¢ coin)
	819264	1	Coin Acceptor (programmable – Euro)
6	819508	1	Computer Mount Plate ONLY
7	887092	1	Phase 8 Computer (without S.A.F.E. system)
	887093	1	Phase 8 Computer (with S.A.F.E. system)
	136116	1	3-Amp Control Fuse
	136056	1	20-Amp Blower Control Fuse
8	350250	1	Phase 8 Computer Cover
9	819196	1	Door Switch Assembly
10	154065	4	U-Nut
11	154364	4	#10-16 x 1/2" Phillips Truss Stainless Steel Blunt

* Specify color when ordering.

Main Door and Front Panel Assembly

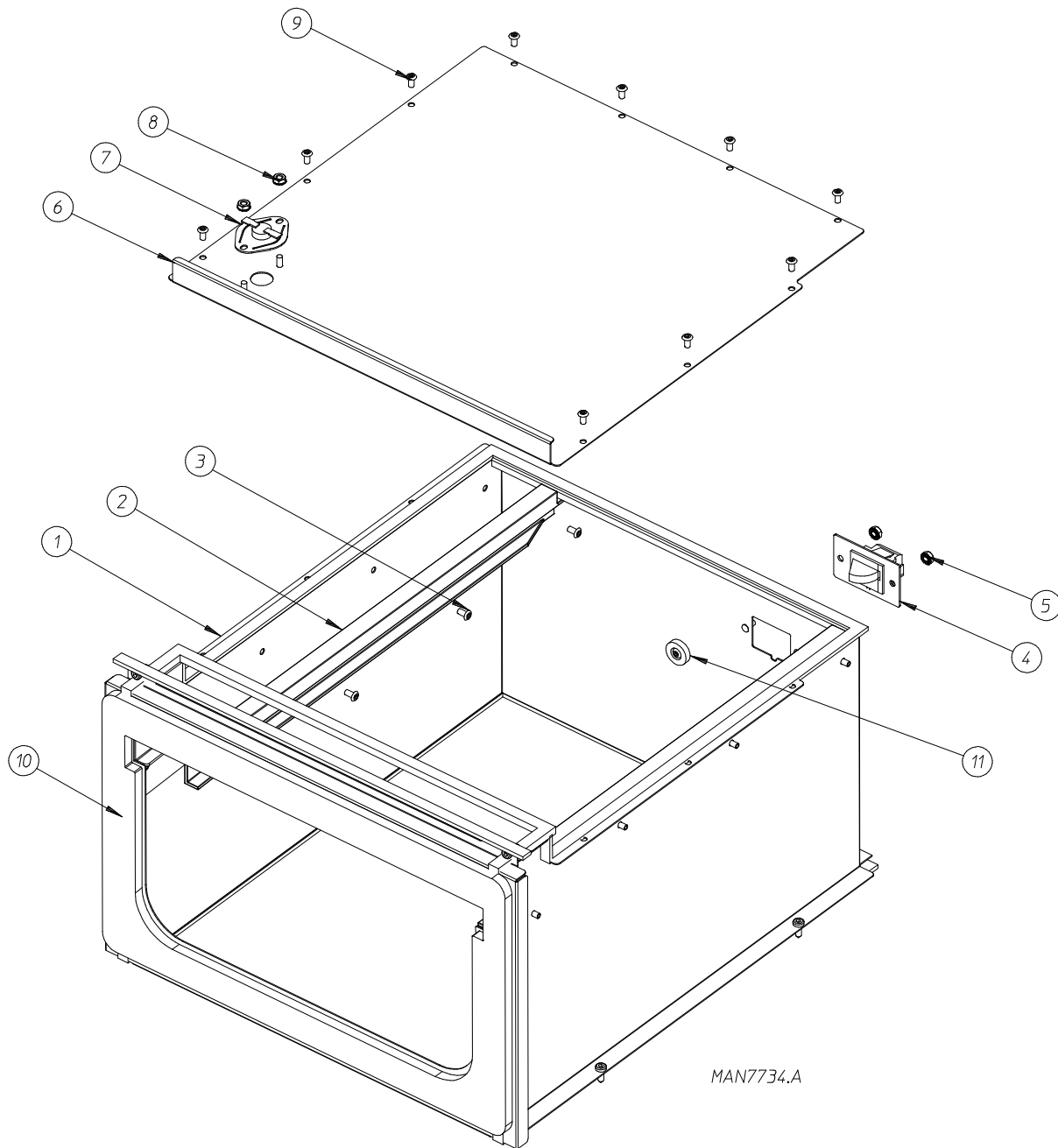


<u>Illus. No.</u>	<u>Part No.</u>	<u>Qty.</u>	<u>Description</u>
1	819838	1	White Door Handle
	887175	1	Silver Door Handle
2	816197	1	Door Assembly Right (white) for models mfd. with 20-1/2" Glass
	814641	1	Door Assembly Right (stainless steel) for models mfd. with 20-1/2" Glass
	819301	1	Door Assembly Right Hinge (white) for models mfd. with 18" Glass
	816220	1	Door Assembly Right Hinge (stainless steel) for models mfd. with 18" Glass
3	102396	1	Door Gasket
4	102004	2	Compact Door Magnet
5	102005	2	Compact Door Blank
6	152223	4	#10-32 x 1/2" Flat Machine Screw (stainless steel)
7	828164	1	Front Panel Assembly Complete (includes illus. nos. 1 through 4)
8	125916	1	Coin Box Assembly with 2 Keys
9	131819	1	Reversing Contactor (120 volt)
	131818	1	Reversing Contactor (200-240 volt)



<u>Illus. No.</u>	<u>Part No.</u>	<u>Qty.</u>	<u>Description</u>
1	185650	1	Rear Bulkhead
2	818110	1	Rear Left Roller Wheel
3	818109	1	Rear Right Roller Wheel Assembly
4	801369	1	Rear Support Panel Stud Assembly
5	121010	2	14-4 Terminal Lug
6	120728	1	Quick-Conn Term Block 4 Pole
7	153021	2	1/4" Ext/Int Shakeproof Washer
8	152002	1	1/4-20 Hex Nut
9	307088	1	Rear Electrical Box
10	185467	1	Electrical Cover
11	150331	7	#8-18 x 1/2" T20 TORX®
12	828238	1	Sail Switch Assembly Linkageless (for models mfd. as of December 2, 2011)
	802817	1	Sail Switch with Rod (for models mfd. prior to December 2, 2011)
13	122200	1	Sail Switch Only (for models mfd. prior to December 2, 2011)
14	815207	1	Axial Temp Sensor
15	153022	2	#10 Flat Washer
16	315434	1	Thrust Bearing Box
17	152014	6	1/4-20 Serrated Hex Flange Nut
18	183112	1	High-Limit Thermostat
19	815128	1	Heat Duct

Lint Box Assembly

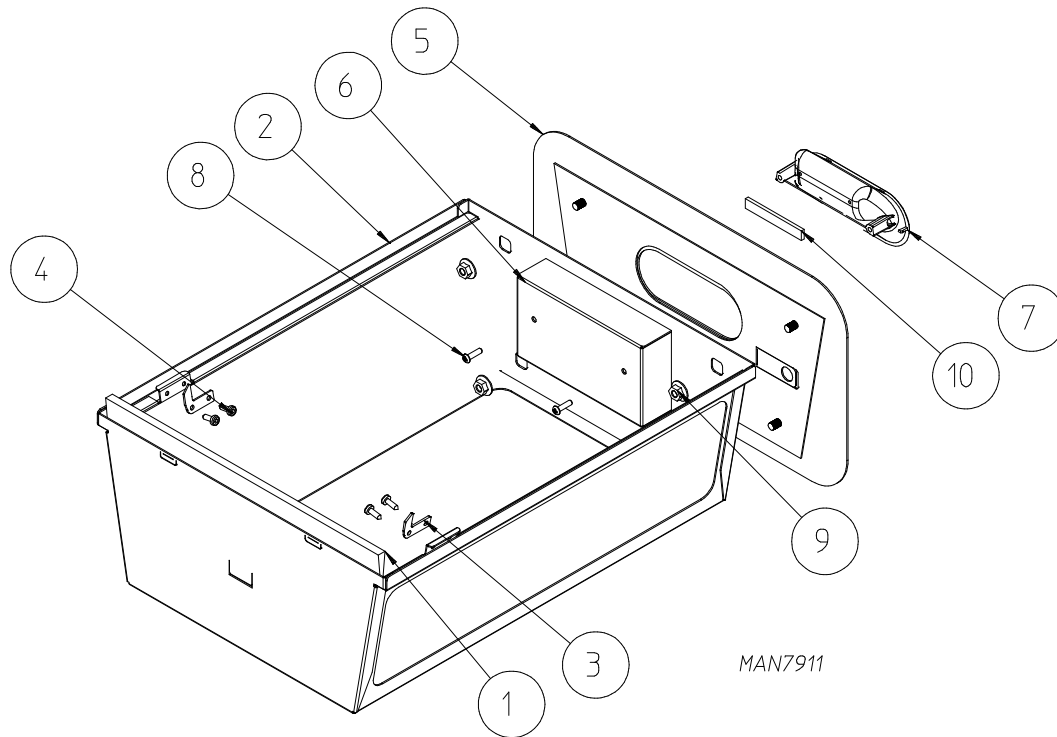


MAN7734.A

<u>Illus. No.</u>	<u>Part No.</u>	<u>Qty.</u>	<u>Description</u>
1	814525	1	Lint Box Assembly Complete
2	185216	1	Molded Lint Rail (left)
	185215	1	Molded Lint Rail (right)
3	154200	8	5/32" Pop Rivet
4	819523	1	Lint Drawer Switch Bracket Assembly
5	153073	2	#8-32 Keps Nut
6	814527	1	Lint Box Top Panel
7	130119	1	L190 Auto Reset Thermostat
8	153073	2	#8-32 Keps Nut
9	154200	10	5/32" Pop Rivet
10	102331	1	Lint Drawer Gasket
11	102004	1	Magnet

Lint Drawer Assembly

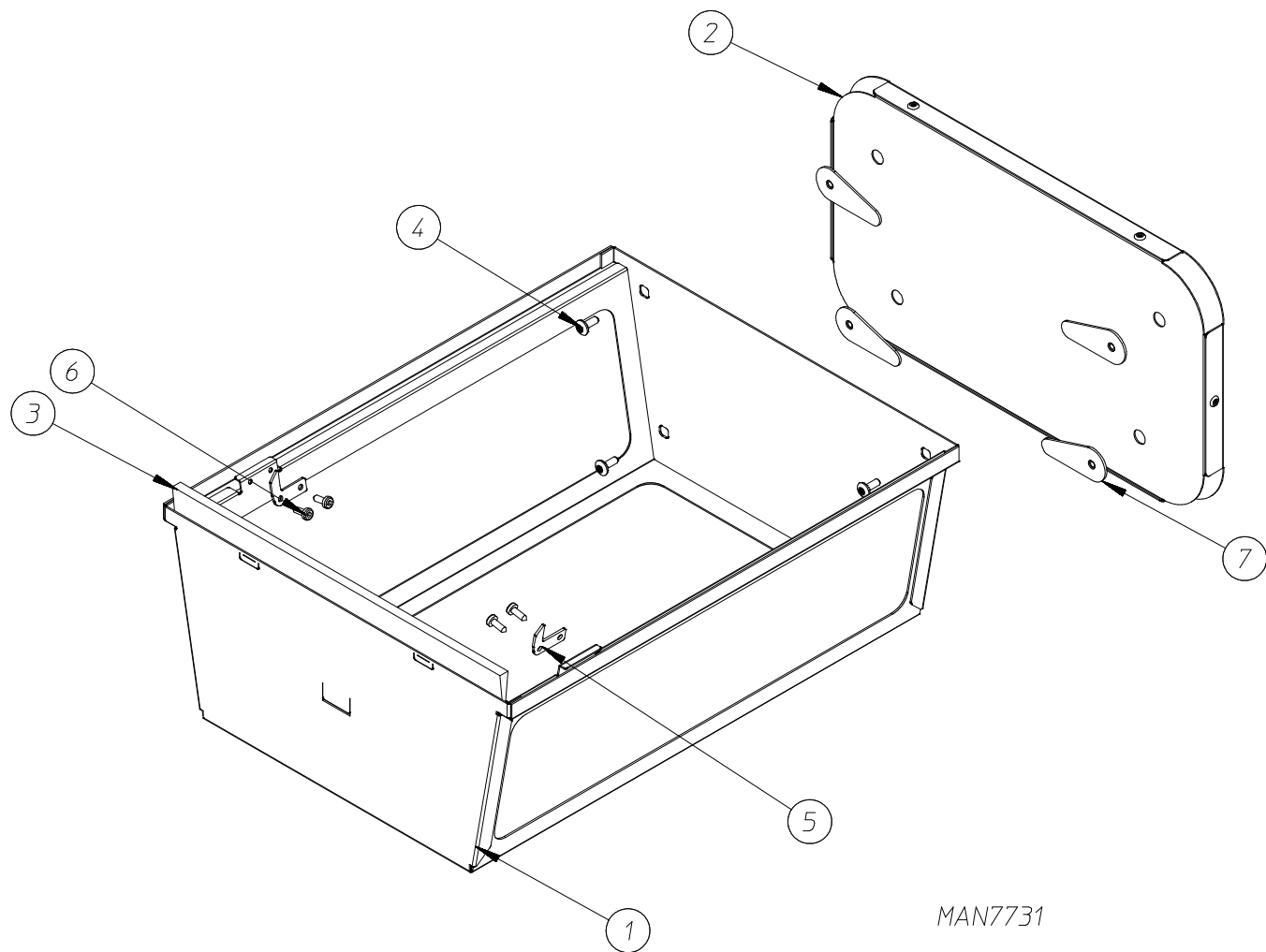
For Models Mfd. as of November 16, 2009



<u>Illus. No.</u>	<u>Part No.</u>	<u>Qty.</u>	<u>Description</u>
1	170169	1	Brush
2	814521	1	Lint Drawer
3	185423	2	Lint Drawer Stop
4	150331	4	#8-18 x 1/2" Pan Head TORX® Screw
5	814526	1	Lint Drawer Face
6	333693	1	Handle Cup
7	185148	1	Handle
8	150334	2	#8-16 x 5/8" Phillips Pan Head Plastic Screw
9	152014	4	1/4-20 Serrated Hex Flange Nut
10	117604	1	Sponge Tape

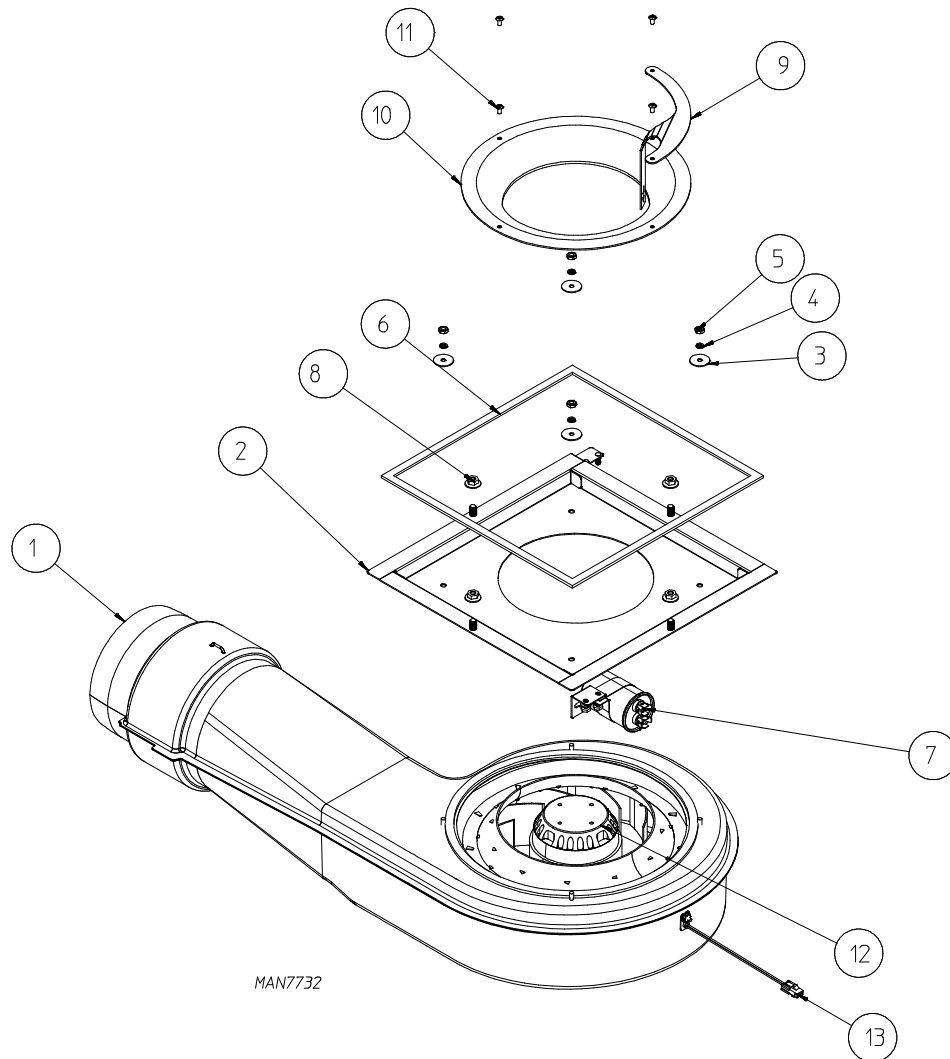
Lint Drawer Assembly

For Models Mfd. prior to November 16, 2009



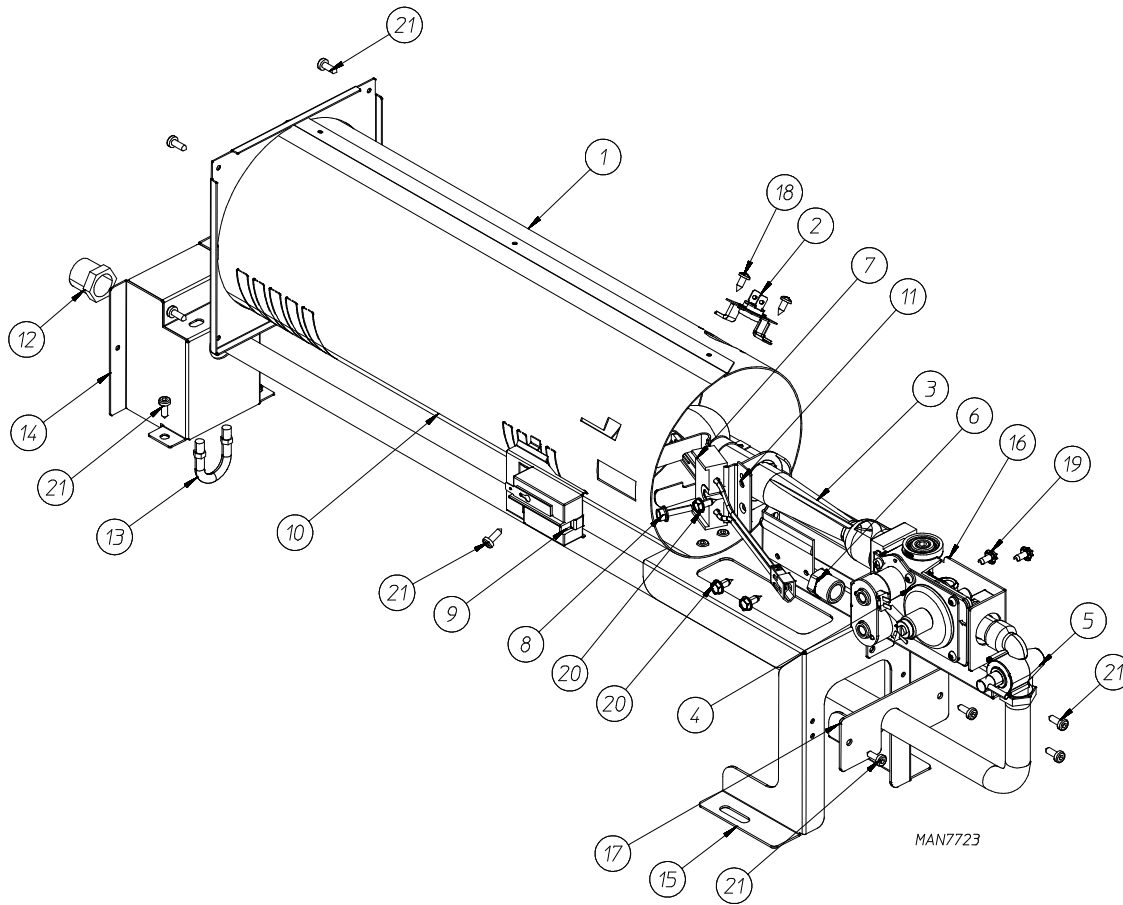
MAN7731

<u>Illus. No.</u>	<u>Part No.</u>	<u>Qty.</u>	<u>Description</u>
1	815133	1	Lint Box Assembly with Handle
2	801358	1	Lint Drawer Handle Assembly
3	170169	1	Lint Brush
4	183129	4	#10-32 x 1/2" TORX® Truss Head
5	185423	2	Lint Drawer Stop
6	150331	2	#8-18 x 1/2" Pan Head T20
7	851536	4	Clinch Nut Plate

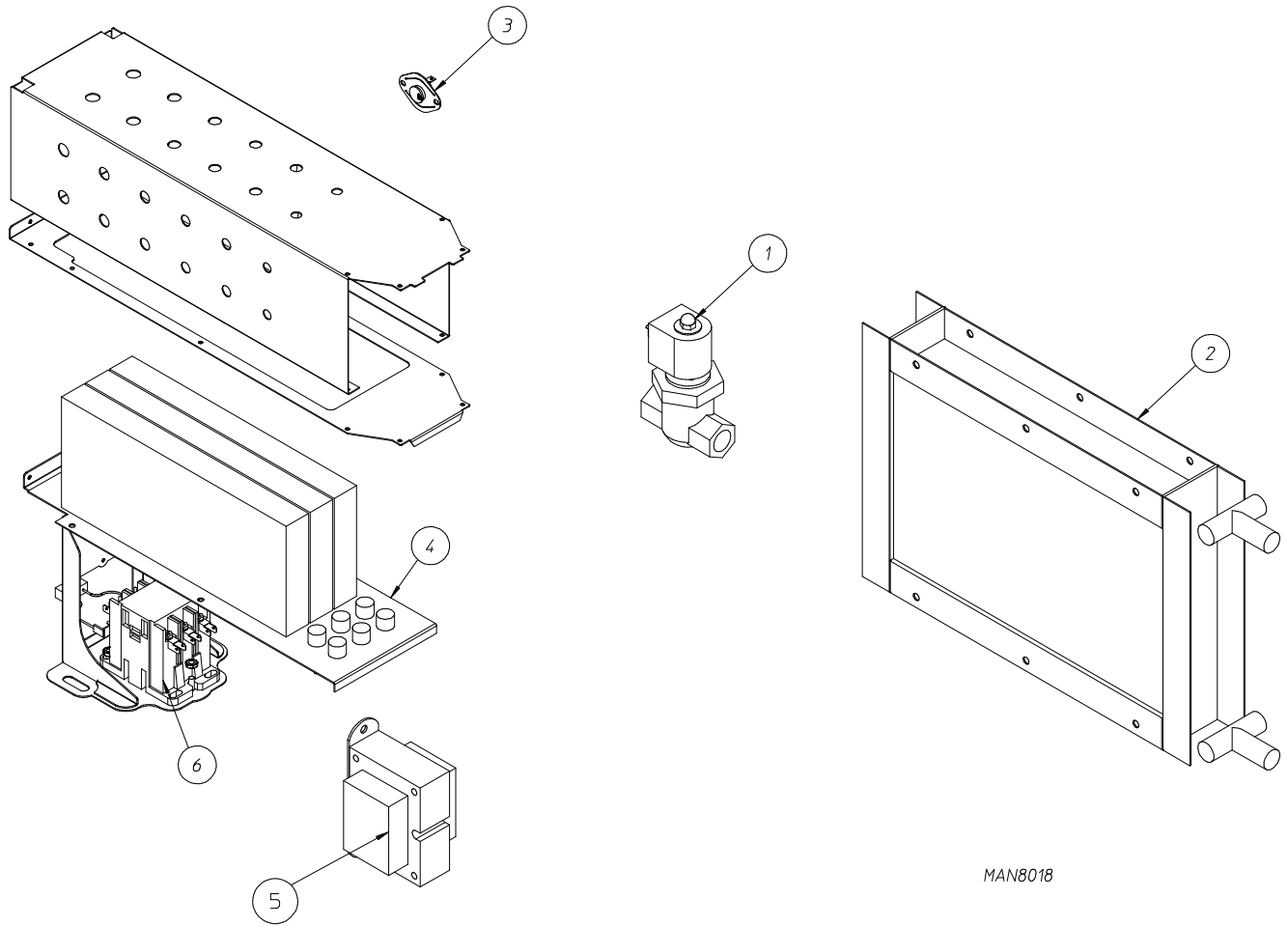


<u>Illus. No.</u>	<u>Part No.</u>	<u>Qty.</u>	<u>Description</u>
1	814493	1	Blower Assembly Complete 120 Volts (includes illus. nos. 1 through 13)
	815182	1	Blower Assembly Complete 208-240 Volts (includes illus. nos. 1 through 13)
2	815140	1	Blower Transition Plate Assembly
3	153049	4	3/4" Washer
4	153024	4	#10 Split Washer
5	152008	4	#10-32 Hex Nut
6	117604	-	1/8" x 3/8" Neo Sponge Tape ... (sold by the inch)
7	100683	1	20 MFD 440V Capacitor for 120V
	100682	1	5 MFD 440V Capacitor for 208-240V
8	152014	4	1/4-20 Hex Flange Nut
9	333677	1	Lint Blade for Low Voltage Motor
	333676	1	Lint Blade for High Voltage Motor
10	100647	1	Inlet Ring
11	154200	4	5/32" Pop Rivet
12	887029	1	115V Motorized Impellor (includes illus. no. 7)
	887031	1	230V Motorized Impellor (includes illus. no. 7)
13	830333	1	Exhaust Temperature Probe Assembly

Burner Assembly



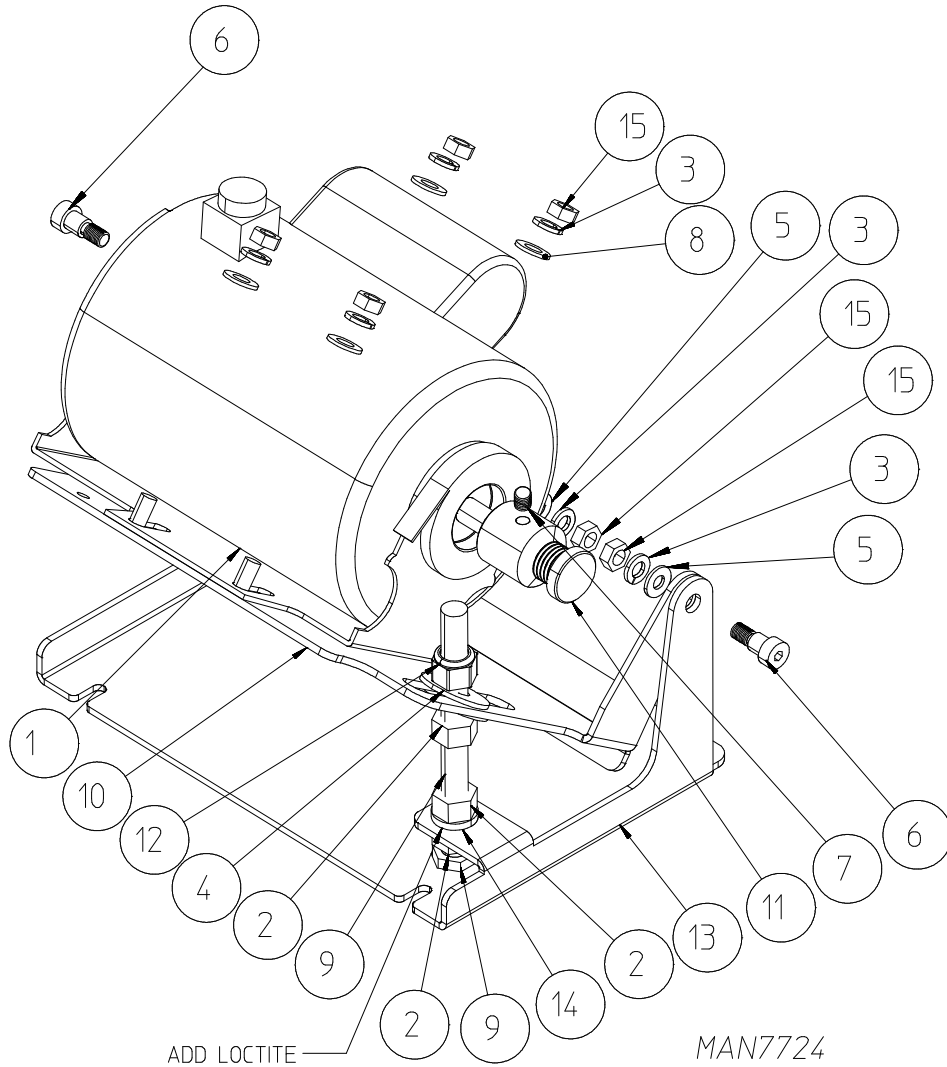
<u>Illus. No.</u>	<u>Part No.</u>	<u>Qty.</u>	<u>Description</u>
1	819164	1	Burner Tube – Hot Surface Ignition
2	183112	1	Thermostat, Gas High-Limit
3	183144	1	Inshot Burner Tube, Hot Surface Ignition
4	128981	1	Hi Capacity Gas Valve 60 Hz
	128907	1	Hi Capacity Gas Valve 50 Hz
	884355	1	Liquid Propane Conversion Kit (includes illus. no. 6)
5	141318	1	3/8" 90° Union Shutoff
6	140888	1	Natural Gas Burner Orifice #23
	140876	1	Liquid Propane Gas Burner Orifice #42
7	128910	1	Globar®
8	183145	1	#8-32 x 7/8" Hex Screw with Washer
9	130500	1	Radiant Control
10	141262	1	3/8" N.P.T. Male 90° Gas Pipe
	142953	1	1/2" x 3/8" Reducer
11	185063	1	Ignitor Bracket
12	142953	1	Steel Bushing 3/8" x 1/2"
13	154356	1	U-Bolt for 3/8" Pipe
14	185434	1	Gas Pipe Bracket
15	319332	1	Gas Train Support
16	307090	1	Gas Valve Bracket
17	307093	1	Gas Pipe Stabilizer
18	150301	2	Phillips Pan Head Screw
19	152209	2	Plated Tapping Screw
20	152208	3	Sheet Metal Screw
21	150331	13	T-20 Pan Head Screw



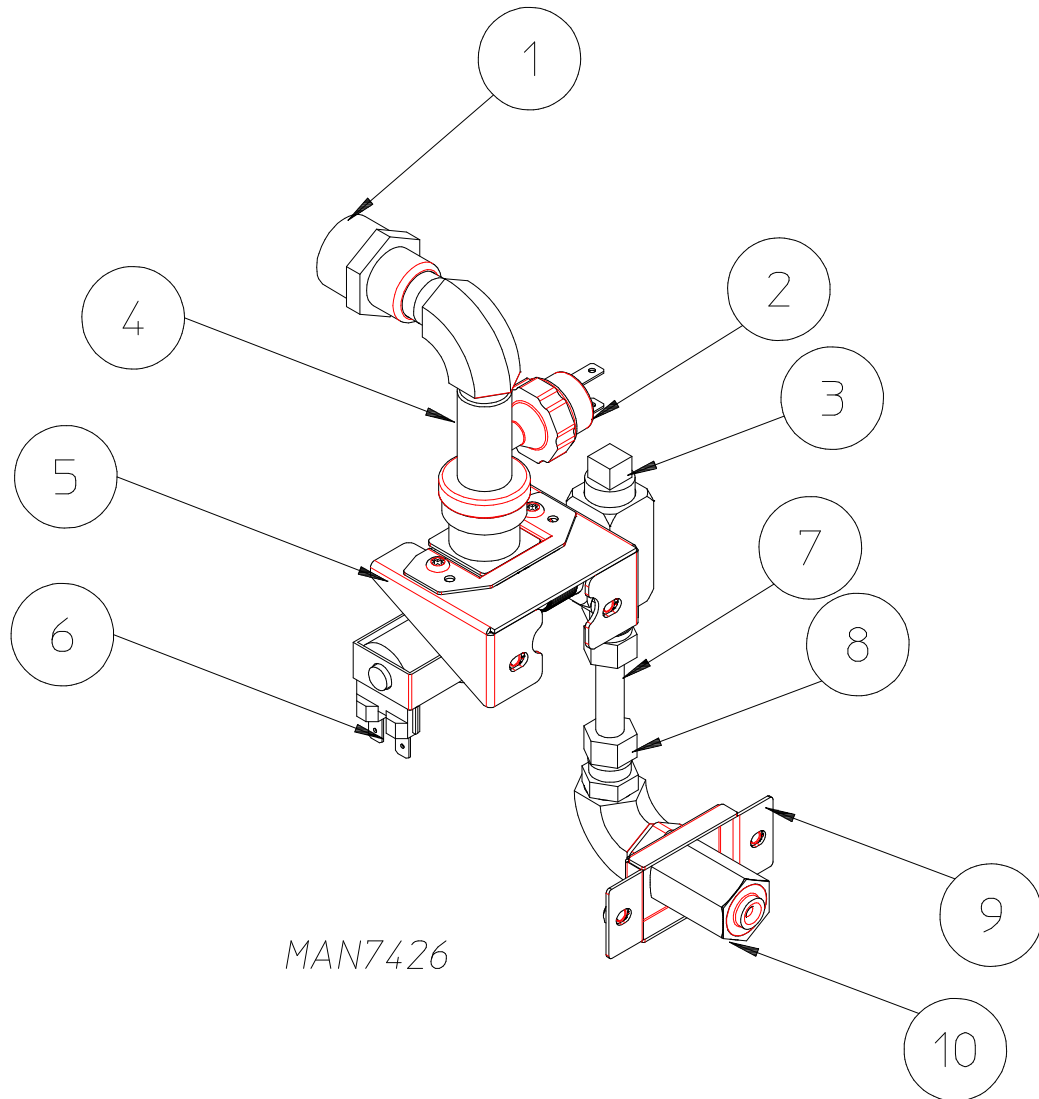
MAN8018

<u>Illus. No.</u>	<u>Part No.</u>	<u>Qty.</u>	<u>Description</u>
1	819579	1	Steam Valve Assembly 120V
	819545	1	Steam Valve Assembly 220V
2	165066	1	Copper Steam Coil
3	183112	1	High-Limit Thermostat
4	119995	1	Electric Element
5	819712	1	120V to 24V Transformer
	819251	1	208V to 24V Transformer
	819267	1	240V to 24V Transformer
	132029	1	208-240V to 120V Transformer
6	131352	1	40-amp 24V Contactor
	131357	1	50-amp 24V Contactor
	131321	1	30-amp 120V Contactor
	131325	1	50-amp 120V Contactor
	131322	1	30-amp 208-240V Contactor
	131324	1	40-amp 208-240V Contactor

Motor Assembly



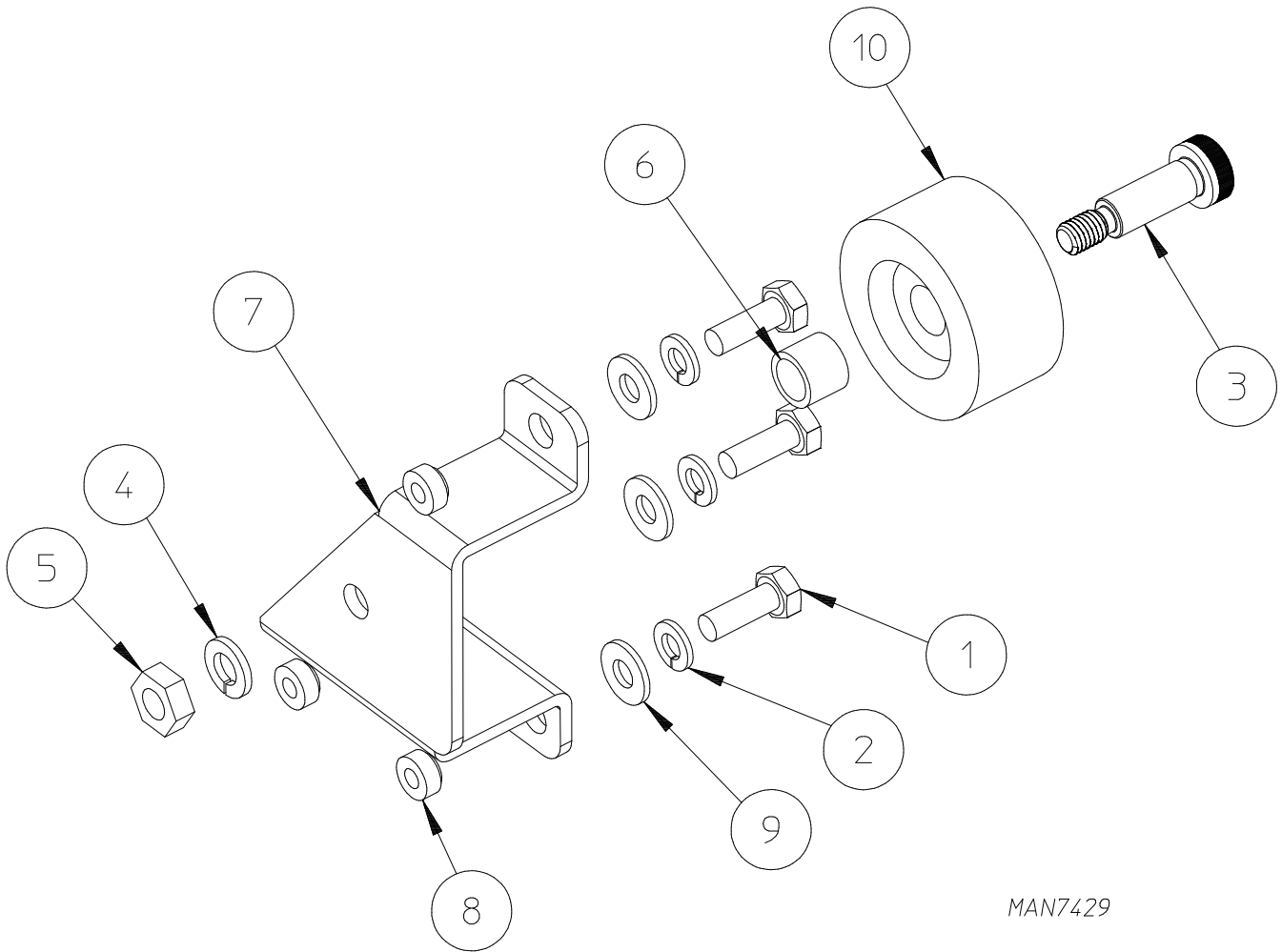
<u>Illus. No.</u>	<u>Part No.</u>	<u>Qty.</u>	<u>Description</u>
1	887196	1	Motor with Sheave (60 Hz)
	887151	1	Motor with Sheave (50 Hz)
2	152011	3	1/2-13 Hex Nut
3	153002	6	5/16" Lock Washer
4	153011	2	9/16" ID Flat Washer
5	153018	2	1/4" Flat Washer
6	154266	2	3/8" x 3/8" Shoulder Screw
7	154321	1	5/16-24 x 3/8" Allen Setscrew
8	153001	4	5/16" Flat Washer
9	150616	1	1/2-13 x 5-1/2" Tap Bolt
10	819710	1	Motor Mount Stud Assembly
11	319933	1	Tumbler Sheave (60 Hz)
	185067	1	Tumbler Sheave (50 Hz)
12	152028	1	1/2-13 Nylon Insert Lock Nut
13	319266	1	Motor Mount Base Plate
14	153026	1	1/2" Std Lock Washer
15	152004	6	5/16-18 Hex Nut



MAN7426

<u>Illus. No.</u>	<u>Part No.</u>	<u>Qty.</u>	<u>Description</u>
1	143025	1	3/8" x 3/4" NH Adaptor (For U.S. and Canada)
	143177	1	3/8" x 3/4" B.S.P.T. Adaptor (For Euro. Countries)
2	136987	1	Pressure Switch
3	143251	1	3/8" Plug
4	143182	1	Brass Tee
5	319231	1	Support Bracket
6	165120	1	Water Valve
7	143099	1	3/8" OD Copper Tubing
8	143208	1	3/8" Brass Connector
9	318422	1	S.A.F.E. Bracket
10	143581	1	Spray Nozzle

Wheel Assembly



MAN7429

<u>Illus. No.</u>	<u>Part No.</u>	<u>Qty.</u>	<u>Description</u>
1	150510	3	1/4-20 x 3/4" Hex Head Machine Bolt
2	153007	3	1/4" Lock Washer
3	154267	1	M10 x 25mm Shoulder Screw
4	153002	1	5/6" Lock Washer
5	154013	1	M8 Hex Nut
6	154284	1	Tumbler Wheel Spacer
7	318233	1	Rear Right Roller Wheel Bracket
	318232	1	Rear Left Roller Wheel Bracket ... Not Illustrated
	318532	1	Front Right Roller Wheel Bracket ... Not Illustrated
	318531	1	Front Left Roller Wheel Bracket ... Not Illustrated
8	153564	3	1/4-20 Clinch Nut
9	153018	3	1/4" Flat Washer
10	180050	1	Wheel

