

primus®

GET AHEAD IN LAUNDRY+



## T25 | T35 TUMBLE DRYER



**RADIAL AIRFLOW**  
For maximal heat transfer, low energy consumption and short drying time



**ECO VERSION**  
All dryers are available with reduced kW heating element



**CLOUD - BASED PLATFORM**  
to easily monitor your laundry everywhere and at any time



**EXTRA LARGE DOOR OPENING**  
For easy loading and unloading



**IMPROVED DURABILITY**  
for your peace of mind with a 3 - year warranty

### FEATURES & BENEFITS

#### Features

- Standard galvanized drum with large diameter
- Large door opening for easy loading & unloading
- Self cleaning lint screen

#### Options

- Coin operated
- Stainless steel front
- Reversing drum and radial airflow
- Double door glass and insulation
- Residual moisture control Sensodry:
  - safe drying of delicate linen
  - humidity detection in %
  - ideal in combination with SoftWash®
  - ideal for dry cleaners, fire depts
  - available on Easy and Full Control
- WiFi kit - to order through Accessories

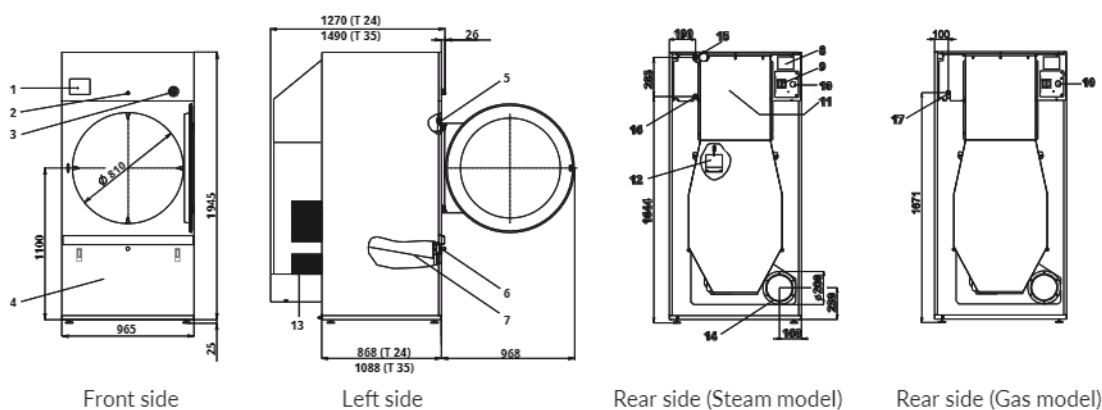
#### Control

- Easy - To - Use Microprocessor (ECT) - intuitive control with simple selection of 3 programs
- Full Control Programmer (FCT) - fully programmable timer with possibility of residual moisture control

## SPECIFICATIONS

TYPE		T25	T35
<b>CAPACITY</b>			
Capacity 1:18	kg (lb)	25(55)	38(84)
Capacity 1:22	kg (lb)	24(56)	31(68)
Drum volume	l	530	680
Drum diameter	mm	Ø 930	Ø 930
<b>AIRFLOW</b>			
	m <sup>3</sup> /h	950	1200
<b>DRYING AVERAGE</b>			
	l/min.	0,384	0,560
<b>MOTORS</b>			
Fan	kW	0,55	0,55
Drive	kW	0,25	0,25
<b>GAS HEATING</b>			
Gas connection	NPT	3/4"	3/4"
Electrical connection		3x220 - 240V 50Hz, 1x220 - 240V 50Hz, 3x380 - 415V 50Hz	
Energy	kW	33/39	46/50
	kBTU/h	112,6/133,1	157,9/170,6
<b>STEAM HEATING</b>			
Steam connection	inch	3/4"	3/4"
Electrical connection		1x208V - 240V 60Hz (3x380V - 415V 50/60Hz)	
Steam output *	kW	27 - 36,2	39,3 - 52,7
Steam pressure	bar	7 - 10	7 - 10
<b>ELECTRICAL HEATING</b>			
Electrical connection		3x380V - 415V 50/60Hz, 3x480V 60Hz	
Energy	kW	30/36	36/48
<b>EXHAUST</b>			
	mm	200	200
<b>DIMENSIONS</b>			
Size HxWxD	mm	1975x965x1270	1975x965x1490
Net weight	kg	275	305
<b>TRANSPORT DATA</b>			
Packed HxWxD	mm	2075x1040x1320	2075x1040x1540
Gross weight	kg	300	330

+ = available, The data concerning dimensions of machines include all extended parts



1. Programmer
2. Lock of the control panel
3. Emergency stop button
4. Lint screen cover
5. Door lock microswitch
6. Lint cover microswitch

7. Lint screen
8. Name plate
9. Main switch
10. Main power supply
11. Heating chamber
12. Airflow switch

13. Suction
14. Exhaust piping
15. Steam supply
16. Condense drain
17. Gas connection