



T 13/13

T11 | T13 | T13/13 | T16
TUMBLE DRYER



RADIAL AND AXIAL AIRFLOW
For maximal heat transfer, low energy consumption and short drying time



ECO VERSION
All dryers are available with reduced kW heating element



CLOUD - BASED PLATFORM
to easily monitor your laundry everywhere and at any time



EXTRA LARGE DOOR OPENING
For easy loading and unloading



IMPROVED DURABILITY
for your peace of mind with a 3 - year warranty

FEATURES & BENEFITS

Features

- Standard galvanized drum with large diameter
- Large door opening for easy loading & unloading
- Self cleaning lint screen

Options

- Coin operated
- Stainless steel front
- Reversing drum
- Double door glass and insulation
- Residual moisture control Sensodry:
 - safe drying of delicate linen
 - humidity detection in %
 - ideal in combination with SoftWash®
 - ideal for dry cleaners, fire depts
 - available on Easy and Full Control
- WiFi kit - to order through Accessories

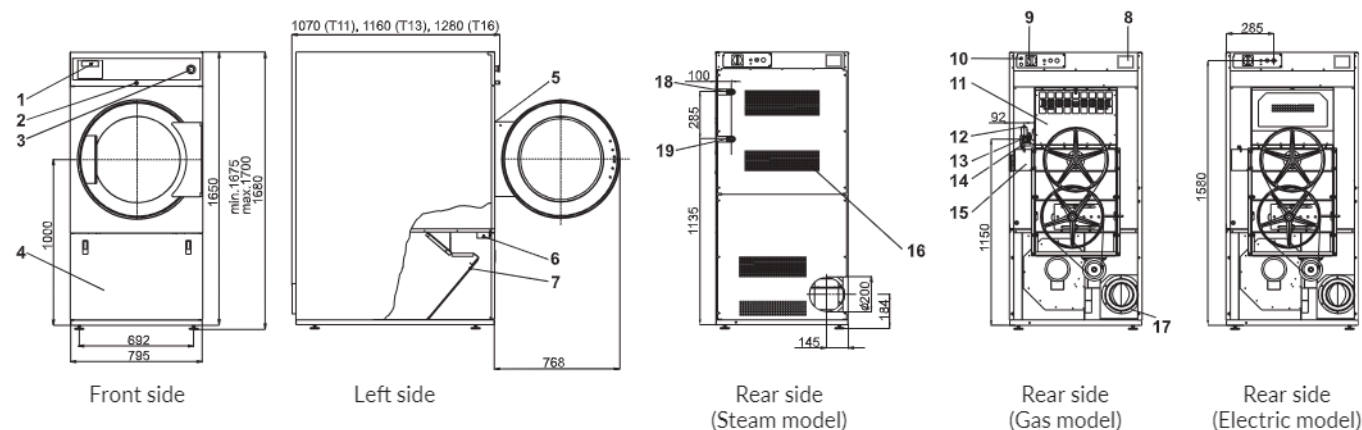
Control

- Easy - To - Use Microprocessor (ECT) - intuitive control with simple selection of 3 programs
- Full Control Programmer (FCT) - fully programmable timer with possibility of residual moisture control

SPECIFICATIONS

TYPE		T11	T13	T13/13	T16
CAPACITY					
Capacity 1:18	kg (lb)	12(26)	16(35)	2x16(2x35)	19(42)
Capacity 1:22	kg (lb)	11(24)	13(29)	2x13(2x29)	16(35)
Drum volume	l	250	285	2x285	345
Drum diameter	mm	Ø 760	Ø 760	2xØ 760	Ø 760
AIRFLOW	m ³ /h	520	550	1050	600
DRYING AVERAGE	l/min.	190	225	2x225	300
MOTORS					
Fan	kW	0,55	0,55	2x0,75	0,55
Drive	kW	0,25	0,25	2x0,25	0,25
GAS HEATING					
Gas connection	NPT	1/2"	1/2"	2x1/2"	1/2"
Electrical connection		3x220 - 240V 50Hz, 1x220 - 240V 50Hz, 3x380 - 415V 50Hz			
Energy	kW	16,5	19,5	2x19,5	25
	kBTU/h	56,3	66,5	2x66,5	85,3
STEAM HEATING					
Steam connection	NPT	3/4"	3/4"	3/4"	3/4"
Electrical connection		3x220 - 240V 50Hz 1x220 - 240V 50Hz 3x380 - 415V 50Hz			
Steam output *	kW	16,5 - 22	19,5 - 27	2x19,5 - 27	22 - 32
Steam pressure	bar	3 - 6/7 - 10	3 - 6/7 - 10	3 - 6/7 - 10	3 - 6/7 - 10
ELECTRICAL HEATING					
Electrical connection		3x220 - 240V 50Hz, 3x380 - 415V 50Hz, 3x480V 60Hz			
Energy	kW	13,5	18,0	2x18,0	24,0
EXHAUST	mm	200	200	200	200
DIMENSIONS					
H×W×D	mm	1680x795x1070	1680x795x1160	2030x795x1240	1680x795x1280
Net weight	kg	230	250	370	250
TRANSPORT DATA					
Packed H×W×D	mm	1785x855x1100	1785x855x1190	2120x880x1325	1785x855x1310
Gross weight	kg	240	265	385	270

* Steam output is flexible depending on steam pressure. The data concerning dimensions of machines include all extended parts



- | | | |
|---|--|--|
| 1. Programmer | 7. Name plate | 14. Airflow switch |
| 2. Emergency stop button (not applicable for version with coin meter) | 8. Main switch | 15. Suction |
| 3. Lint screen cover | 9. Main power supply | 16. Exhaust piping |
| 4. Door lock microswitch | 10. Heating chamber | 17. Coin meter (version with coin meter) |
| 5. Lint cover microswitch | 11. Gas valve (G models only) | 18. Coin box (version with coin meter) |
| 6. Lint screen | 12. Pressure regulator (G models only) | |
| | 13. Gas supply (G models only) | |