

primus.

GET AHEAD IN LAUNDRY



SPS10 | SDS10 PROFESSIONAL STACKED WASHER-DRYER AND STACKED DRYER



COMPACT DESIGN
Saving the footprint



LARGE DOOR OPENING
For easy loading and unloading



USER-FRIENDLY
Very simple and intuitive interface

FEATURES & BENEFITS

Features stack units

- Fully programmable control
- Totally freestanding: can be installed on any floor and any level
- Reduced floor space
- Top, front and side panels standard available in anthracite grey
- Door opens 180° for easy loading and unloading
- LED notification of the status of the program
- Programmable by Infra Red
- Time remaining countdown

Washer features

- Stainless steel outer and inner drum
- Industry-leading 440 G-Force extraction removes more moisture, minimizing drying times and utility costs
- Suspension with new out-of-balance logic
- Soap box with four compartments
- Drain pump or drain valve
- Electrical heating or boiler-fed
- Soap supply injection allows easy connection with liquid soap pumps
- Longer lifetime: at least 15,000 cycles

Dryers features

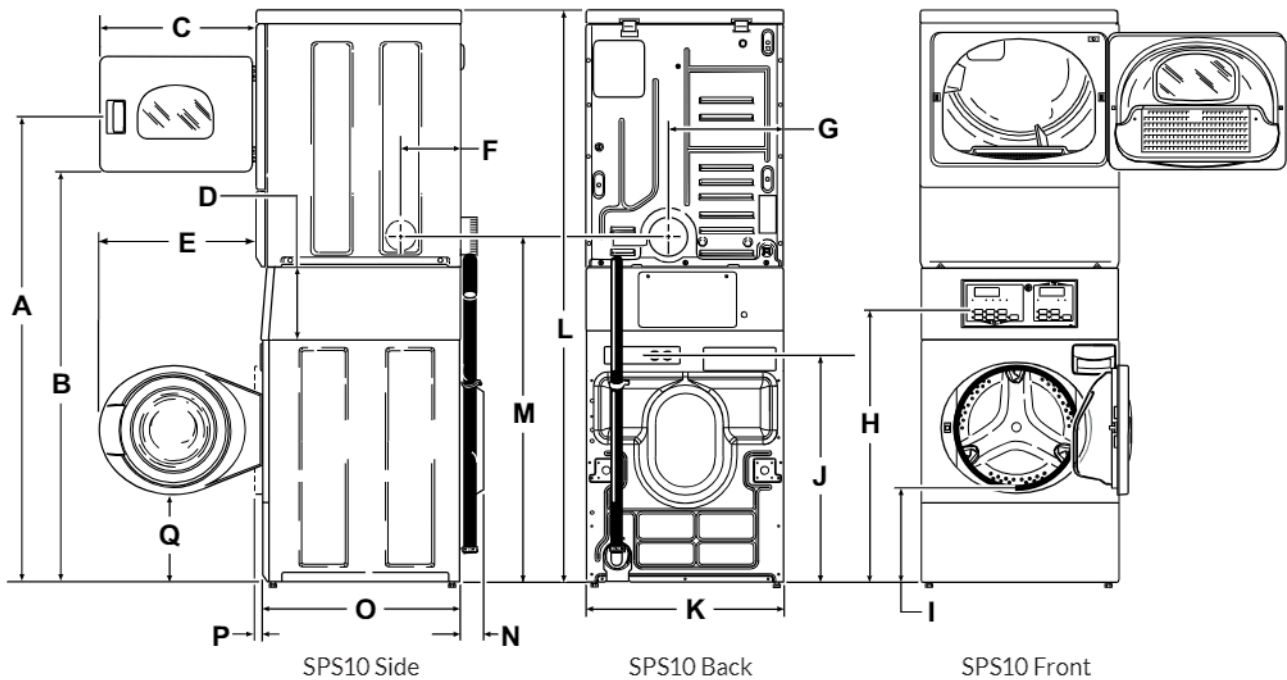
- Galvanized steel drum
- Oversized lint filter located in front for easy cleaning
- Powerful exhaust blower assures short drying times and low operating costs
- Electrical or gas heating

SPECIFICATIONS

SPS10	NT3JGASP403UG01	NT3JGAJP403UG43	NT3JGAJG403UG43	NT3JGASP403NG22	NT2JGASP403UG01
Market	Europe/CE	Europe/CE	Europe/CE	No agency	Europe/CE
Actuation	OPL ¹ /PCP ²	OPL ¹ /PCP ²	OPL ¹ /PCP ²	OPL ¹ /PCP ²	OPL ¹ /PCP ²
Heating	Electric	Electric	Electric	Electric	Electric W - Gas D
Voltage	400v/50Hz/3N	400v/50Hz/3N	400v/50Hz/3N	400v/50Hz/3N	400v/50Hz/3N
Basket	Stainless	Soap inject./grey boot	Soap inject./grey boot	Stainless	Stainless
Drain	Pump	Pump	Gravity Drain ³	Pump	Pump

¹On Premise Laundry ²Prep for Central Pay ³Available in Q4/2024

Stacked washer-dryer		SPS10
Capacity	kg	10,5
Drum volume	l	Dryer: 198 Washer: 96,8
Frequency controlled	kW	0,67
Extraction speed	rpm	Washer: 1200
G-factor		Washer: 440
Electrical heating	kW	Dryer: 5,2 (230V) 5,3 (400V)
Gas heating	kW	Dryer: 7,3
Motor power	kW	Dryer: 7,3
Heating		3 pH W, 3 ph D
Voltage		400V/50Hz/3N
Control type		Quantum
Basket		Stainless/Galvanized
Dimensions H×W×D	mm	1986x683x704
Net weight	kg	177
Volume (packed)	m ³	1,25
Packed H×W×D	mm	2032x760x860
Gross weight	kg	193



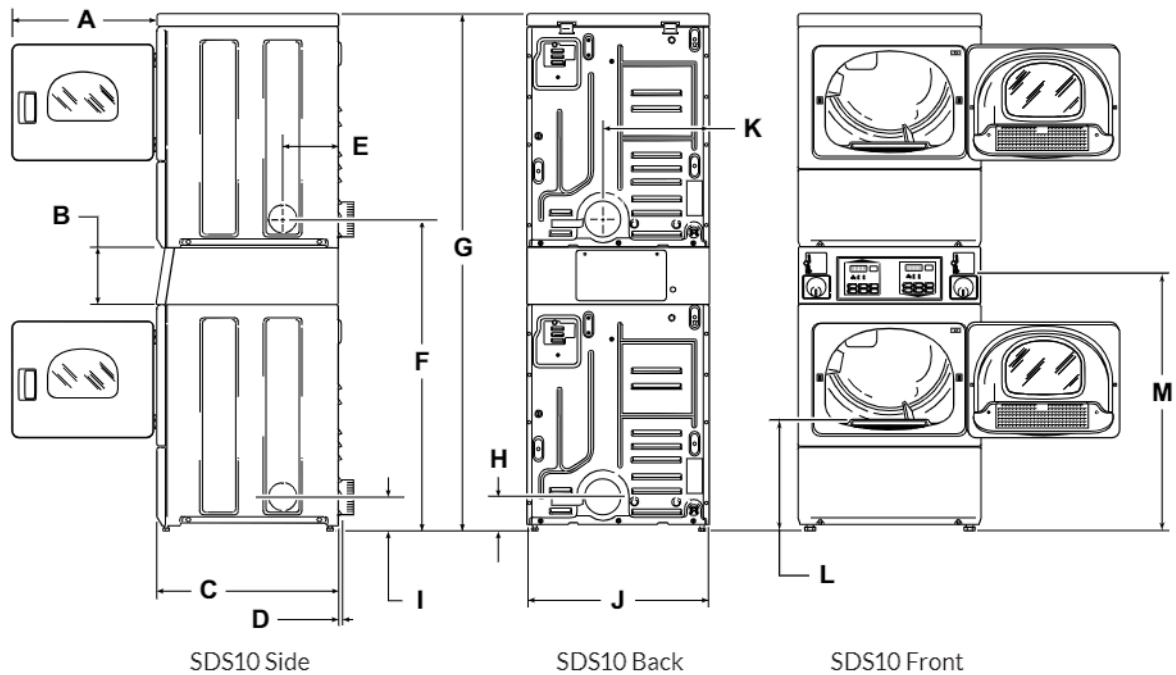
	A	B	C	D	E	F	G	H	I	J	K	L	M	N	O	P	Q
SPS10	1678	1447	597	213	610	203	391	938	371	813	683	1986	1184	52	704	38	333
											width	height			depth		

SPECIFICATIONS

SDS10	NS3NGAGS403UG01	NSGNGAGS303UG01
Market	Europe/CE	Europe/CE
Actuation	OPL ¹ /PCP ²	OPL ¹ /PCP ²
Exhaust (mm)	102	102
Voltage	400v/50Hz/3N	230v/50Hz/1N
Heating	Electric	Gas

¹On Premise Laundry ²Prep for Central Pay

Stacked dryer-dryer		SDS10
Capacity	kg	10,5
Drum volume	l	198
Electrical heating	kW	5,2 (230V) 5,3 (400V)
Gas heating	kW	0,25
Control type		Quantum
Color		Grey
Dimensions H×W×D	mm	1986x683x737
Net weight	kg	120 (el.) / 125 (gas)
Volume (packed)	m ³	1,30
Packed H×W×D	mm	2032x760x860
Gross weight	kg	127 (el.) / 132 (gas)



	A	B	C	D	E	F	G	H	I	J	K	L	M
SDS10	597	213	711	11	203	1184	1986	102	114	683	391	392	994
	depth				height				width				