

primus.

GET AHEAD IN LAUNDRY



## MXB360 | MXB500 | MXB700 BARRIER WASHER-EXTRACTORS



**TOUCH CONTROL AVAILABLE**  
Multilingual user-friendly 7" touch control



**CASCADE DRUM TECHNOLOGY**  
Extra mechanical action thanks to its cascading shape of the surface



**CLOUD-BASED PLATFORM**  
to easily monitor your laundry everywhere and at any time



**AUTOMATIC WEIGHING SYSTEMS**  
Automatically adapts amount of water and detergent based on the wash load



**IMPROVED DURABILITY**  
for your peace of mind with a 3-year warranty

### FEATURES & BENEFITS

#### Features

- Freestanding, high spin
- Stainless steel top, drum and tub and full stainless steel cabinet
- Patented soap hopper
- Frequency controlled motor
- Perforated lifting ribs: more mechanical action, lower water consumption
- Easy access to all vital parts
- Large door opening for easy loading & unloading
- Golden lock - patented inner door lock mechanism
- Large drain valves (2 x Ø 76 mm)

#### Options

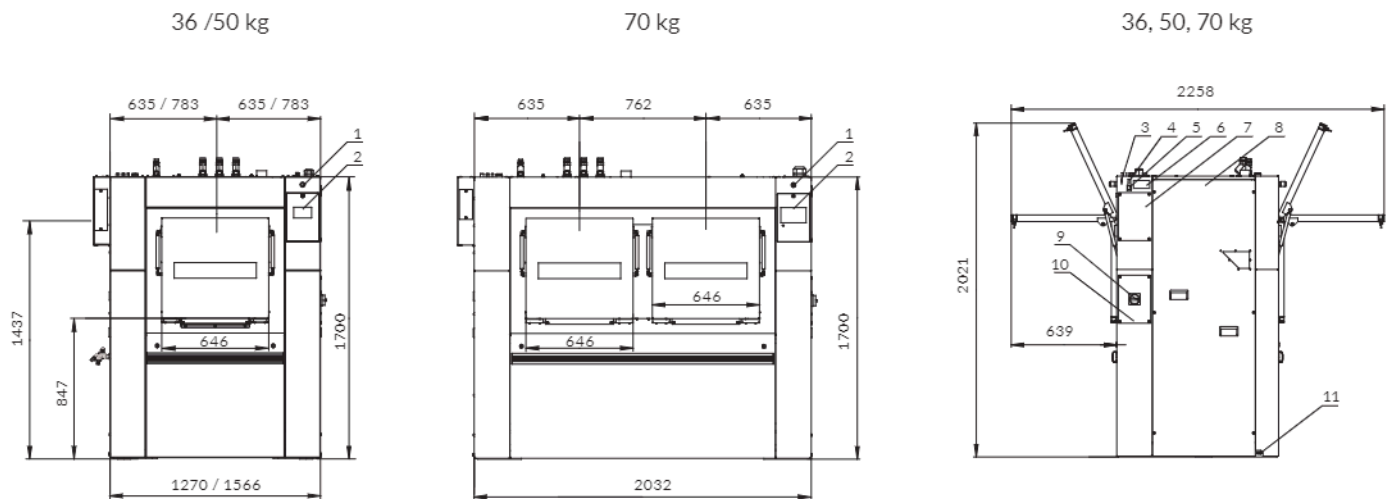
- Liquid soap connection and pumps.
- Water recovery kit and sample tap
- Steam heating version
- Insulation for energy, heat and noise reduction
- Version without soap hopper
- Drain valve for water recycling
- Air operated water inlets
- Second display (located on the clean side)
- Extra visualisation of end of cycle (orange light + signal)
- Tilting system: assists operators during loading & unloading.

#### Control

- XControl FLEX PLUS - fully programmable and customizable cycles 7" touch screen.
  - User-friendly screen with operating instructions built in as part of the control
  - Complete control content available in 34 languages
- XControl - fully programmable control with 20 Pre-set programs and memory up to 99.

## SPECIFICATIONS

TYPE		MXB360	MXB500	MXB700
<b>INNERDRUM</b>				
Capacity 1:09	kg (lb)	40 (88)	55,5 (122)	78 (172)
Capacity 1:10	kg (lb)	36 (79)	50 (110)	70 (154)
Volume	litres	360	500	700
Diameter	mm	775	775	775
Depth	mm	764	1060	2 x 742
<b>DRUM SPEED</b>				
Wash	rpm	41	41	41
Extraction	rpm	900	900	900
<b>G-FACTOR</b>				
		350	350	350
<b>HEATING</b>				
Electricity	kW	36	48	60
Steam	bar	1 - 8	1 - 8	1 - 8
Hot water	°C	90	90	90
Sound pressure level	dB (A)	< 68	< 69,9	< 69
Water valves connection	BSP	3x 1"	3x 1"	3x 1"
Water pressure	kPa	100-600	100-600	100-600
Rec. water pressure	kPa	300-500	300-500	300-500
Water inlet	l/min	20	20	20
Drain valve	outer Ø mm	76	76	76
Flow amount with drain valve	l/min	2 x 210	2 x 210	2 x 210
Steam valve connection	BSP	3/4"	3/4"	3/4"
Steam pressure	kPa	100-800	100-800	100-800
<b>DIMENSIONS</b>				
Size H×W×D	mm	1700 x 1270 x 980	1700 x 1566 x 980	1700 x 2032 x 980
Net weight	kg	960	1130	1310
<b>TRANSPORT DATA</b>				
Packed H×W×D	mm	2005x1530x1255	2005x1830x1255	2005x2290x1255
Gross weight	kg	1090	1280	1470



1. Emergency stop
2. Control panel
3. USB Port
4. PC Programming Connection

5. Switch: Steam / Electric Heating
6. Serial Plate
7. Electrical Signals Liquid Soap Cover
8. Electrical Components with Frequency

9. Inverter Cover
10. Main Switch Cover
11. Main Switch
12. Equipotential Bounding Terminal