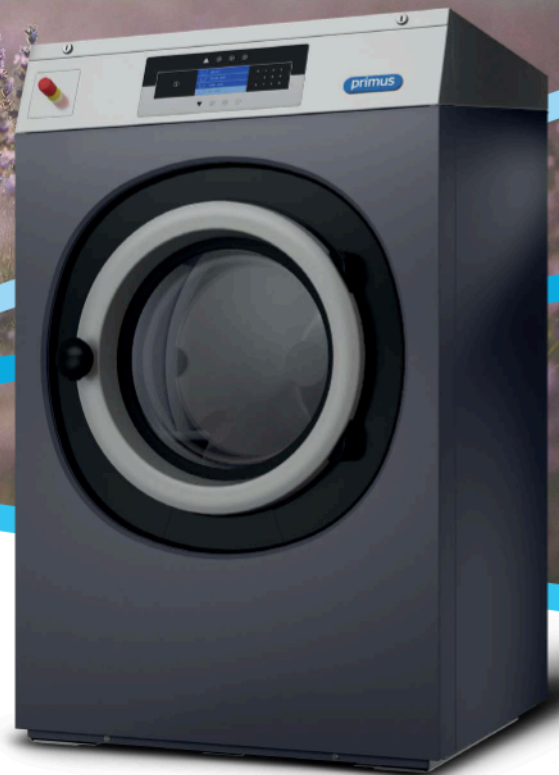


primus.

GET AHEAD IN LAUNDRY



RX180 | RX240 | RX280

## HARDMOUNT WASHER-EXTRACTORS



**CASCADE DRUM TECHNOLOGY**  
Extra mechanical action thanks to its cascading shape of the surface



**HIGH CAPACITY WATER INLETS**  
For shorter wash cycles



**EXTRA LARGE DOOR OPENING**  
For easy loading and unloading



**IMPROVED DURABILITY**  
for your peace of mind with a 3-year warranty

### FEATURES & BENEFITS

#### Features

- Rigid mounted, normal spin, 100G factor
- Stainless steel drum and tub
- Patented soap hopper
- Easy access to all vital parts from the front
- Large door opening for easy loading & unloading
- High capacity water inlets (RX280)
- Large drain valve (Ø 76 mm)

#### Options

- 200G factor execution
- Coin operated
- Stainless steel front and side panels
- Liquid soap connection and pumps
- Steam heating version
- ECO version: Lower kW rating on request
- 3<sup>rd</sup> water inlet
- High capacity water inlets (RX180, RX240)

#### Control

- XControl - fully programmable control with 20 Pre-set programs and memory up to 99.
- XTronic - Programmable control with 6 programs (+2 cycle modifiers and Imbalance detection)

## SPECIFICATIONS

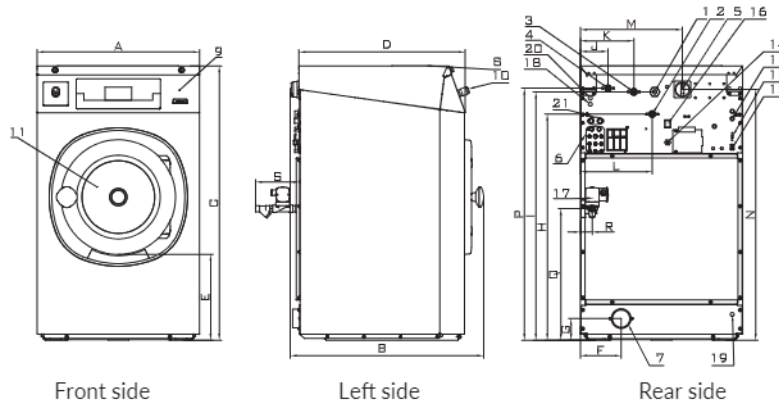
TYPE		RX180	RX240	RX280
<b>INNERDRUM</b>				
Capacity 1:09	kg (lb)	20(44)	27(60)	31(68)
Capacity 1:10	kg (lb)	18(40)	24(53)	28(62)
Volume	litres	180	240	280
Diameter	mm	750	750	750
<b>DRUM SPEED</b>				
Wash	rpm	42	42	42
Extraction	rpm	490 (690)*	490 (690)*	490 (690)*
G-FACTOR		100 standard 200*	100 standard 200*	100 standard 200*
<b>HEATING</b>				
Electricity	kW	12 - 18	18	21,9
Steam	bar	1-8	1-8	1-8
Hot water	°C	90	90	90
Sound pressure level	dB (A)	< 65	< 65	< 65
Water valves connection	BSP	3/4"	3/4"	3/4"
Water pressure	kPa	100-800	100-800	100-800
Rec. water pressure	kPa	300-500	300-500	300-500
Water inlet	l/min	20	20	20
Drain valve	outer Ø mm	76	76	76
Flow amount with drain valve	l/min	210	210	210
Steam valve connection	BSP	1/2"	1/2"	1/2"
Steam pressure	kPa	100-800	100-800	100-800
<b>DIMENSIONS</b>				
Size H*W*D	mm	1410×890×915	1410×890×1060	1410×890×1135
Net weight	kg	255 (315)*	275 (330)*	290 (355)*
<b>TRANSPORT DATA</b>				
Packed H*W*D	mm	1550×925×970	1550×925×1130	1550×925×1190
Gross weight	kg	270 (335)*	290 (355)*	305 (385)*

\* 200 G-factor execution

## DIMENSIONS

	A	B	C	D	E	F	G	H	I	J	K	L	M	N	P	Q	R	S
<b>RX180</b>	890	915	1410	815	465	280	130	1212	1297	113	218	303	625	1270	1317	528	54	120
<b>RX240</b>	890	1060	1410	960	465	280	130	1212	1297	113	218	303	625	1270	1317	528	54	120
<b>RX280</b>	890	1135	1410	1035	465	280	130	1212	1297	113	218	303	625	1270	1317	528	54	120

width    depth    height



- |                          |                           |  |
|--------------------------|---------------------------|--|
| 1. Electrical connection | 6. Liquid soap connection | 11. Door opening (Ø 460mm)                     |
| 2. Hot water             | 7. Drain                  | 12. Fuses                                      |
| 3. Cold water hard       | 8. Soap dispenser         | 13. USB port                                   |
| 4. Cold water soft       | 9. Control panel          | 14. Electrical connection to liquid soap pumps |
| 5. Main switch           | 10. Button CENTRALSTOP    |  |