

UDLM-65-80 ESSENTIAL TUMBLE DRYERS

M PROGRAMMER
New M programmer: push buttons to control temperature and time

OUTSTANDING FEATURES
Reversing drum action as standard
Frequency inverter as standard
Galvanized drum as standard

EFFICIENCY
FULL FLOW - New 'optimized' system of airflow
Extra Large Steel Lint Filter

VERSATILITY
Make to order - customization
OPL > VENDED - Standard OPL model that can be easily changed to vended laundry

ERGONOMICS
Accessible lint filter.
Large diameter doors.
Door opening direction adjustable on site.

MAINTENANCE
Hinged Front Panel: easy and ergonomic access
Technical menu: statistics, alarm, auto-test, data recovery for technicians and maintenance with M console

OTHERS
White painted panels
Transmission by direct drive
COOL DOWN - anti-wrinkle at the end of the cycle
Heating options: Gas
CE and ETL approved

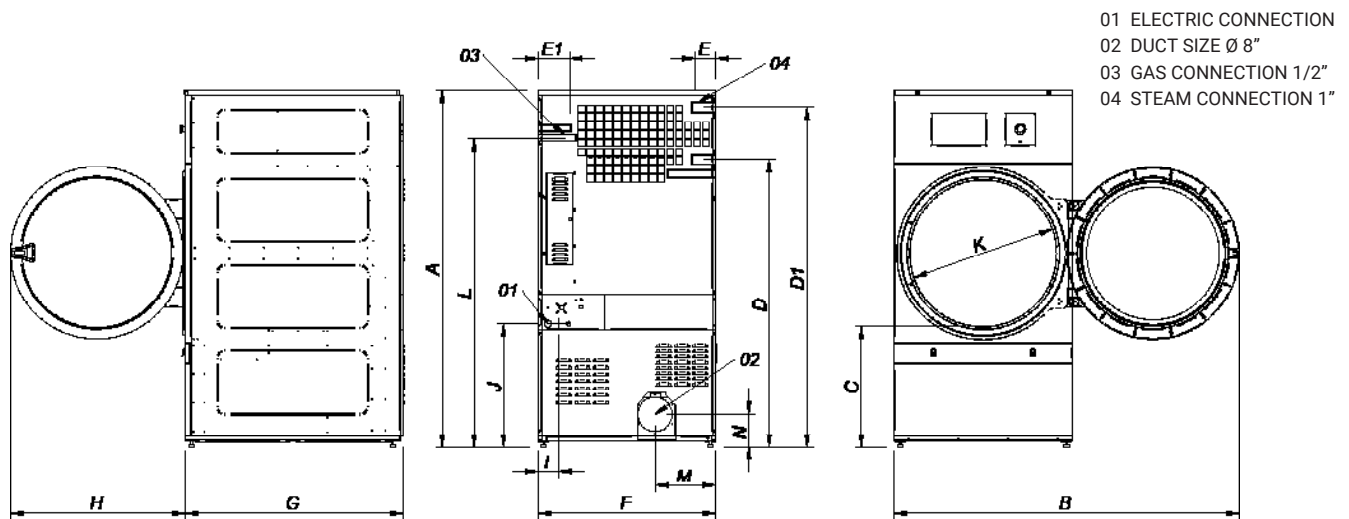


OPTIONS

- M Control programming console
- New M Control with display
- Wooden packing
- Exhaust Ø 8"
- Ship voltage for electric models: 440V III 50/60 Hz No neutral

TECHNICAL DATA	UNIT.	UDLM - 65 ESSENTIAL	UDLM - 80 ESSENTIAL		
CAPACITY					
Capacity 1/18	lb	70	80		
Capacity 1/20	lb	60	75		
Hourly Output *	lb/h	59.3	138		
Evaporation capacity *	l/h	30.9	3.1		
DRUM					
Ø Drum	in	37.25	37.25		
Ø Door	in	31.50	31.50		
Door center height	in	41	41		
Door bottom height	in	64.50	64.50		
Drum depth	in	30.75	36.85		
Drum volume	cu ft	19.4	23.3		
POWER					
Drum motor power	hp	0.75	0.75		
Fan motor power	hp	0.75	0.75		
Electric heating power (elec.model)	kW	Not Available	Not Available		
Total electric power (elec.model)	kW	Not Available	Not Available		
Gas heating power	btu/h	140,000	140,000		
Total electric power (gas model)	kW	1.15	1.15		
Steam heating power (elec.model)	kW	Not Available	Not Available		
Steam heating power (gas model)	kW	1.15	1.15		
CONNECTIONS					
		ELECTRIC.	GAS	ELECTRIC.	GAS
120 V / 60 Hz / 1	FLA	-	30 A	-	30 A
208-240 V / 50-60 Hz / 1	FLA	Not Available	-	Not Available	-
208-240 V / 50-60 Hz / 3	FLA	Not Available	-	Not Available	-
Gas connection	BSP	-	1/2"	-	1/2"
DIMENSIONS / PACKING DIMENSIONS					
Net Width / Gross Width	in	38.75 / 42		38.75 / 42	
Net Depth / Gross Depth	in	41.50 / 45.50		47.60 / 51.60	
Net Height / Gross Height	in	76.60 / 82		76.60 / 82	
Height without heating battery	in	-		-	
Net weight / Gross weight	lb	507 / 573		573 / 628	
OTHERS					
Max airflow	CFM	706		706	
Ø Duct Size	in	8		8	
Sound level	dB	65		65	

* It may vary depending on the type of heating, filter cleanliness or extraction type.



DIMENSIONS (in)	A	B	C	D	D1	E	E1	F	G	H	I	J	K	L	M	N
UDLM-65	76.60	75	25	62.60	74	4.50	6.85	38.75	41.50	37.75	4.30	26.75	31.60	67.25	13.35	7
UDLM-80	76.60	75	25	62.60	74	4.50	6.85	38.75	47.60	37.75	4.30	26.75	31.60	67.25	13.35	7